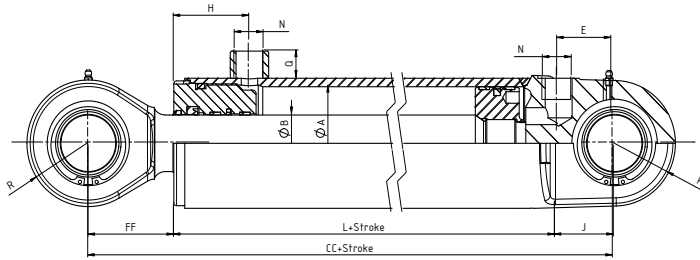
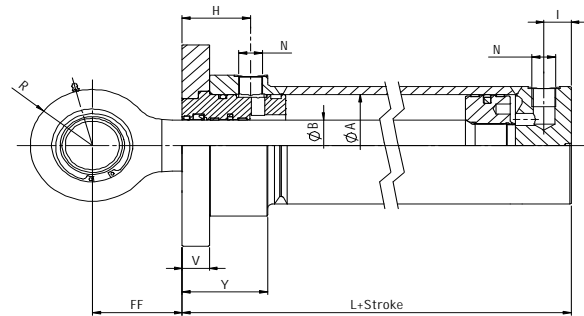


BUCKLING TABLE, DA0101, DA0501

DA0101



DA0501



Maximum stroke in mm with the following working pressure

Dimensions	8 MPa	12 MPa	16 MPa	20 MPa	25 MPa
25/12	234	179	147	124	104
25/16	467	369	311	272	236
32/16	348	272	227	196	168
32/20	582	463	392	343	300
40/20	432	337	280	241	207
40/25	721	575	487	426	372
50/25	557	438	367	318	275
50/32	972	776	660	581	510
63/32	742	587	495	432	375
63/40	1217	975	831	732	644
80/40	924	734	620	542	473
80/50	1509	1211	1033	912	803
100/50	1159	921	779	682	595
100/63	1922	1544	1318	1164	1027
125/63	1492	1190	1009	886	776
125/80	2503	2014	1723	1525	1347
140/70	1633	1300	1100	965	844
140/90	2821	2269	1941	1716	1515
160/80	1868	1487	1260	1104	966
160/100	3037	2441	2086	1844	1627
180/90	2103	1674	1418	1244	1088
180/125	4275	3447	2954	2617	2316
200/100	2318	1841	1557	1363	1190
200/140	4811	3877	3320	2940	2600
250/125	2900	2304	1949	1706	1489
250/160	4972	3996	3414	3017	2662

Dimensions	8 MPa	12 MPa	16 MPa	20 MPa	25 MPa
25/12	829	673	579	516	459
25/16	1495	1216	1050	936	835
32/16	1159	942	812	723	644
32/20	1827	1487	1284	1145	1022
40/20	1448	1176	1014	903	804
40/25	2283	1858	1604	1431	1276
50/25	1812	1472	1269	1130	1006
50/32	2997	2439	2106	1879	1676
63/32	2362	1920	1656	1476	1315
63/40	3720	3028	2615	2334	2082
80/40	2909	2365	2040	1818	1620
80/50	4579	3728	3221	2874	2565
100/50	3633	2952	2546	2269	2021
100/63	5813	4732	4088	3648	3254
125/63	4613	3748	3232	2880	2566
125/80	7499	6105	5274	4706	4199
140/70	5079	4126	3557	3170	2823
140/90	8471	6896	5956	5315	4742
160/80	5800	4711	4061	3618	3222
160/100	9140	7437	6423	5730	5111
180/90	6527	5302	4571	4072	3626
180/125	12732	10368	8958	7997	7136
200/100	7246	5884	5072	4519	4024
200/140	14371	11702	10111	9025	8054
250/125	7052	7349	6335	5642	5022
250/160	14974	12185	10522	9388	8372

Calculated with the Euler formula and the security factor 1,5

We reserve the right to do changes without further notice • Edition 2.0 October 2006