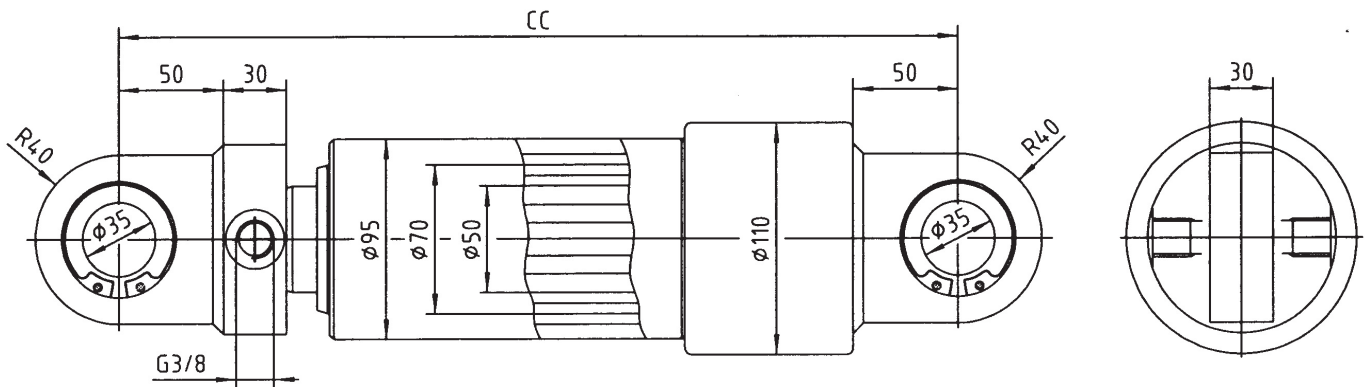
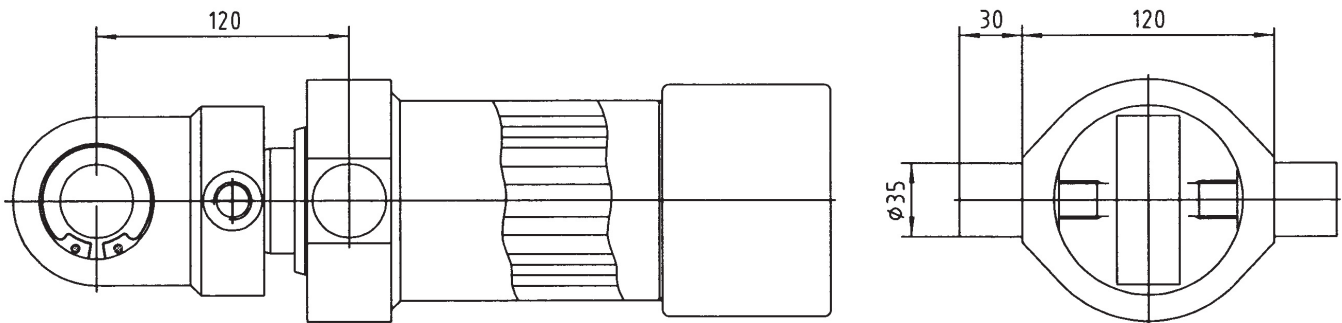


DOUBLE ACTING TELESCOPE CYLINDER, 2-STEPS

Article number AY30403800 - Stroke



Article number AY30408200 - Stroke



Examples of stroke

Stroke	CC
1000	795
1500	1045
2000	1295
2500	1545

Example of article number:
AY30403800-1500

Aera of the steps

Step ϕ	Pressure area (cm ²)	Pull area (cm ²)
50	28,3	8,7
70	50,2	11,7

All measures in mm, if nothing else is stated.
Max. working pressure 17,5 MPa.