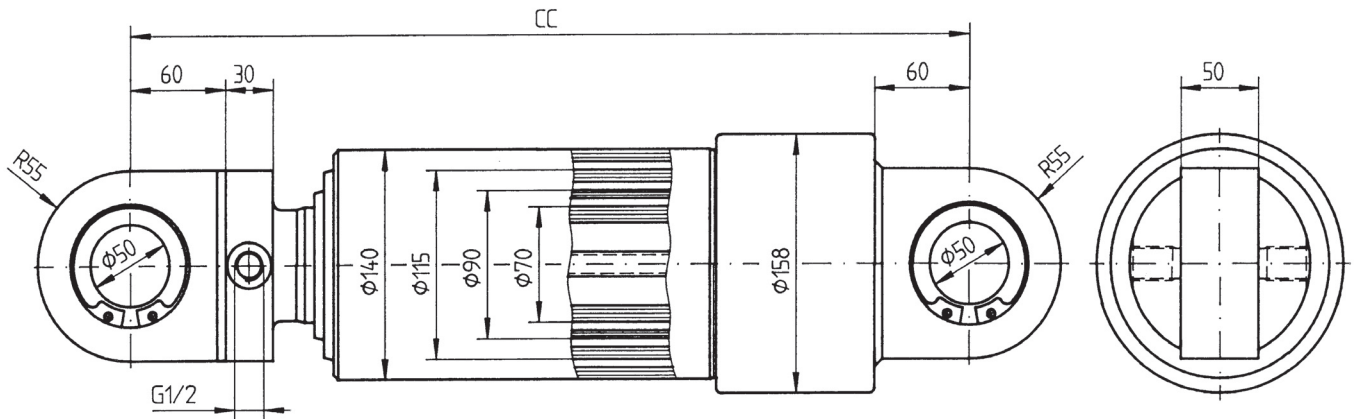
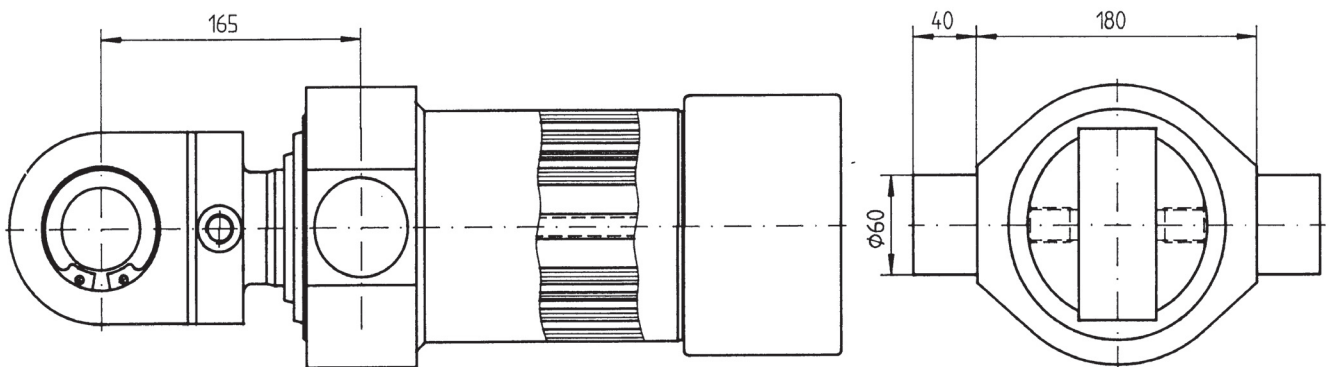


DOUBLE ACTING TELESCOPE CYLINDER, 3-STEPS

Article number AY30405400 - Stroke



Article number AY30412100 - Stroke



Examples of strokes

Stroke	CC
1900	1050
2500	1250
3100	1450
3700	1650

Example of article number:
AY30405400-1900

Area of the steps

Step \varnothing	Pressure area (cm ²)	Pull area (cm ²)
70	50,2	11,7
90	78,2	14,6
115	122,7	18,9

All measures in mm, if nothing else is stated.
Max. working pressure 17,5 MPa.