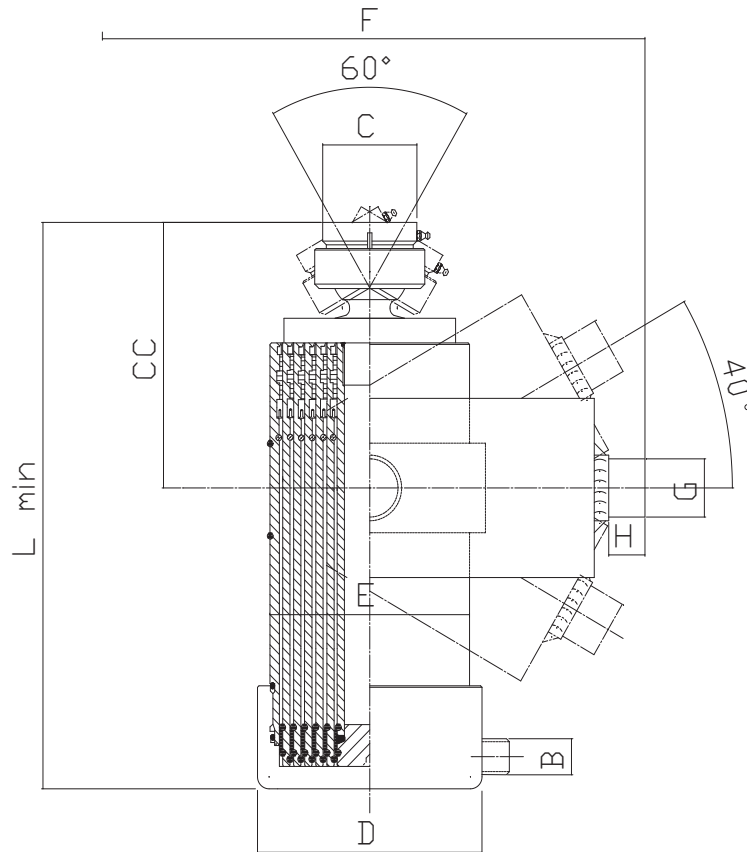


BALL/CRADLE, Max working pressure = 21,0 MPa, chromed step



Part No.	Term	Internal cylinder step						Stroke mm.	L min mm.	Volume liter	Measure
		1	2	3	4	5	6				
AK14246911-0864	KV 90/32-864	75	60	45	32			864	389	2,2	CC=129 B=3/8" ext. C=53 D=103 E=92 F=280 G=Ø 25 H=20
AK14246921-1264	KV 90/32-1264	75	60	45	32			1264	489	3,1	
AK14246931-1564	KV 90/32-1564	75	60	45	32			1564	564	3,9	
AK14246941-1764	KV 90/32-1764	75	60	45	32			1764	614	4,3	
AK14246951-2264	KV 90/32-2264	75	60	45	32			2264	739	5,5	
AK13247111-0648	KV 90/45-648	75	60	45				648	389	2,0	
AK13247121-0948	KV 90/45-948	75	60	45				948	489	2,9	
AK13247131-1173	KV 90/45-1173	75	60	45				1173	564	3,5	
AK13247141-1323	KV 90/45-1323	75	60	45				1323	614	4,0	
AK13247151-1698	KV 90/45-1698	75	60	45				1698	739	5,1	