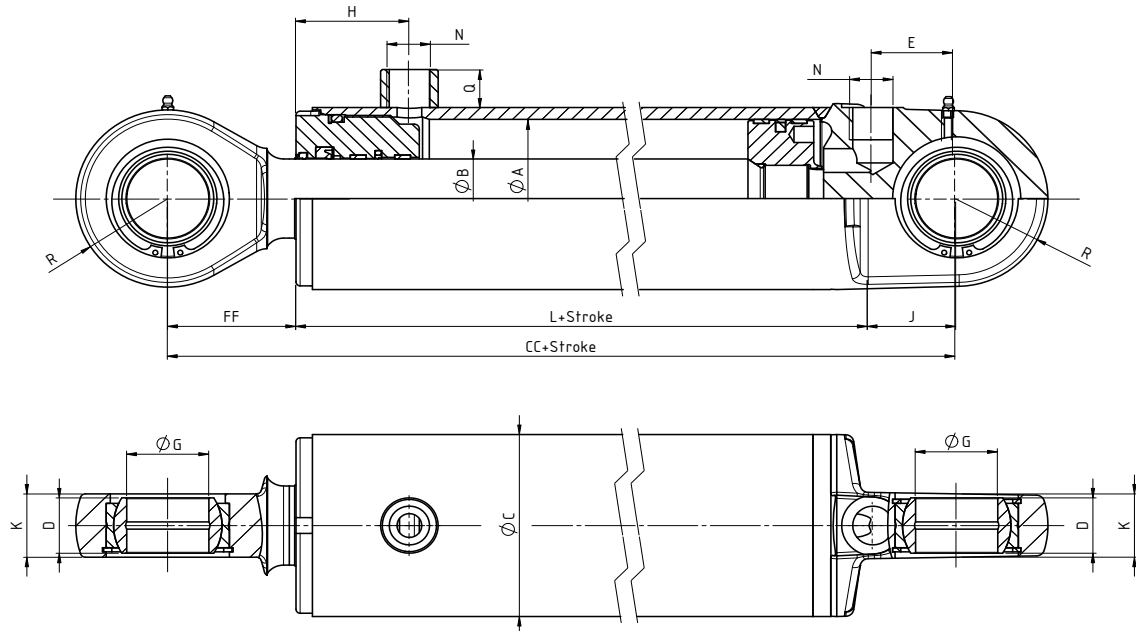


## HYDRAULIC CYLINDER WITH SPHERICAL BEARING, DA 250

### Performance DA0101



All measures in mm, if nothing else is stated.  
Maximum working pressure 25.0 MPa (250 bar).  
The cylinder is painted subdued black.

Cylinder Ø A	Piston rod Ø B	Ø C	CC	D	E	FF	G	H	J	K	L	N	Q	R	Pressure area cm <sup>2</sup>	Pull area cm <sup>2</sup>	Weight in kg +kg/100mm ST
25	12	35	130	10	26	25	12	36	17	14	88	G1/4	14	16	4,91	3,78	0,8+0,45
	16														4,91	2,90	0,8+0,5
32	16	42	135	10	26	28	12	36	17	14	90	G1/4	14	16	8,04	6,03	1,0+0,6
	20														8,04	4,90	1,0+0,7
40	20	50	175	16	34	36	20	50	25	18	114	G3/8	15	25	12,57	9,42	2,0+0,8
	25														12,57	7,66	2,1+0,9
50	25	60	185	20	34	43	25	50	33	25	109	G3/8	15	30	19,63	14,73	3,0+1,1
	32														19,63	11,59	3,1+1,3
63	32	73	205	22	37	50	30	49	35	30	120	G1/2	16	35	31,17	23,13	4,9+1,5
	40														31,17	18,61	5,0+1,8
80	40	95	230	28	41	59	40	58	45	32	126	G1/2	16	45	50,27	37,70	8,8+2,6
	50														50,27	30,63	8,6+3,2
100	50	115	280	35	51	78	50	69	56	40	146	G3/4	24	56	78,54	58,90	15,6+3,5
	63														78,54	47,37	15,4+4,4
125	63	145	315	44	65	90	60	69	70	50	155	G3/4	24	69	122,72	91,55	27,6+5,8
	80														122,72	72,45	27,5+7,3
140	70	160	370	49	75	116	70	75	80	58	174	G3/4	24	75	153,94	115,45	37,5+6,7
	90														153,94	90,32	37,4+8,7
160	80	185	420	55	85	137	80	82	90	65	193	G1	30	90	201,06	150,80	57,8+9,3
	100														201,06	122,52	57,8+11,5
180	90	210	470	60	105	152	90	95	100	70	223	G1	30	100	254,47	190,85	
	125														254,47	131,75	
200	100	230	560	70	120	175	100	118	115	80	270	G1 1/4	30	115	314,16	235,62	
	140														314,16	160,22	
250	125	300	695	85	150	225	120	137	145	100	325	G1 1/4	30	145	490,87	368,16	
	160														490,87	289,81	

Example of article number: DA01010700-0600  
Spherical bearings in both ends, cylinder Ø: 50 mm,  
piston rod Ø: 25 mm, and a 600 mm stroke.

We reserve the right to do changes without further notice • Edition 2.3 February 2009