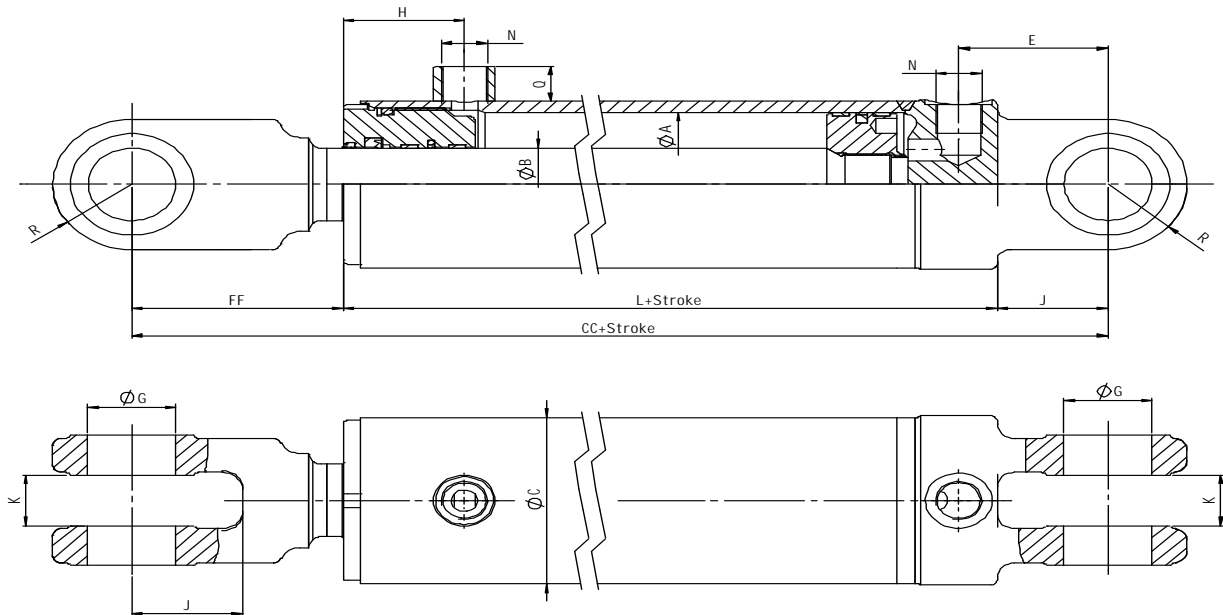


HYDRAULIC CYLINDER WITH CLEVIS, DA 250

Performance DA0404



All measures in mm, if nothing else is stated.
 Maximum working pressure 25.0 MPa (250 bar).
 The cylinder is painted subdued black.

Cylinder Ø A	Piston Ø B	Ø C	CC	E	FF	G	H	J	K	L	N	Q	R	X	Pressure area cm ²	Pull area cm ²
25	12	35	150	31	37	12	36	17	10	96	G1/4	14	12,5	28	4,91	3,78
	16														4,91	2,90
32	16	42	155	31	40	12	36	17	14	98	G1/4	14	14	32	8,04	6,03
	20														8,04	4,90
40	20	50	210	43	59	20	50	25	18	126	G3/8	15	20	40	12,57	9,42
	25														12,57	7,66
50	25	60	230	51	71	25	50	33	20	126	G3/8	15	22,5	50	19,63	14,73
	32														19,63	11,59
63	32	73	255	56	78	30	49	35	25	142	G1/2	16	27,5	60	31,17	23,13
	40														31,17	18,61
80	40	95	300	70	99	40	58	45	30	156	G1/2	16	35	75	50,27	37,70
	50														50,27	30,63
100	50	115	355	85	120	50	69	56	35	179	G3/4	24	45	90	78,54	58,90
	63														78,54	47,37
125	63	145	395	100	135	60	69	70	45	190	G3/4	24	55	110	122,72	91,55
	80														122,72	72,45
140	70	160	460	115	161	70	75	80	50	219	G3/4	24	62,5	125	153,94	115,45
	90														153,94	90,32
160	80	185	520	130	187	80	82	90	60	243	G1	30	70	142	201,06	150,80
	100														201,06	122,52
180	90	205	565	140	206	90	95	100	65	259	G1	30	80	155	254,47	190,85
	125														254,47	131,75
200	100	230	665	165	235	100	118	115	70	315	G1 1/4	30	87,5	170	314,16	235,67
	140														314,16	160,27
250	125	298	805	200	285	120	137	145	95	375	G1 1/4	30	110	210	490,87	368,16
	160														490,87	289,81

Example of article number: DA04040700-0600
 Clevis in both ends, cylinder Ø: 50 mm, piston rod
 Ø: 25 mm, and a 600 mm stroke.

We reserve the right to do changes without further notice • Edition 1.1 February 2009