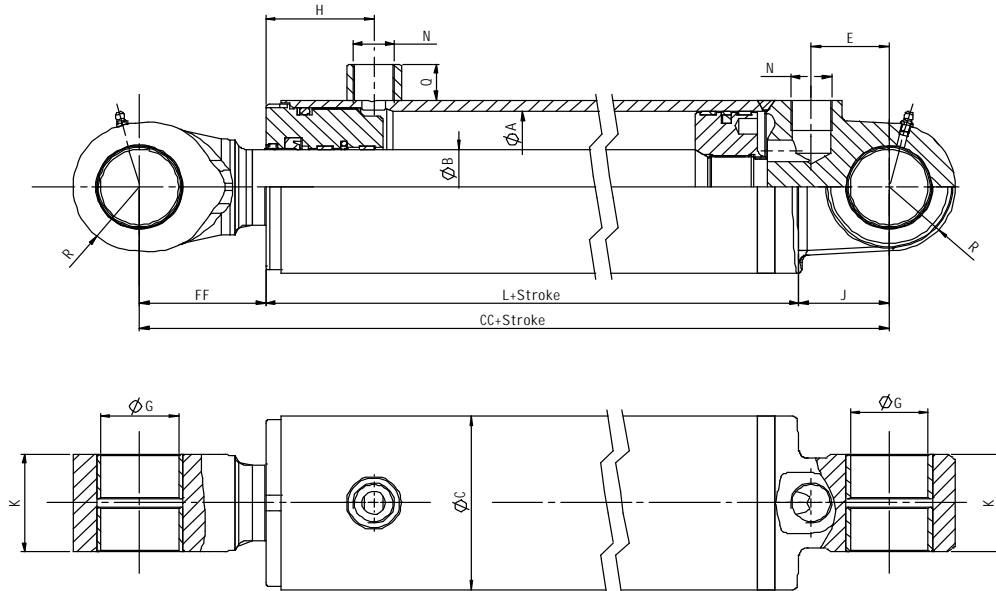


## HYDRAULIC CYLINDER WITH NARROW BUSHING, DA 250

### Performance DA0707



All measures in mm, if nothing else is stated.  
 Maximum working pressure 25.0 MPa (250 bar).  
 The cylinder is painted subdued black.

Cylinder Ø A	Piston Rod Ø B	Ø C	CC	E	FF	G	H	J	K	L	N	Q	R	Pressure area cm <sup>2</sup>	Pull area cm <sup>2</sup>
25	12	35	130	25	25	12	36	17	20	88	G1/4	14	12,5	4,91	3,78
	16													4,91	2,90
32	16	42	135	25	28	12	36	17	25	90	G1/4	14	12,5	8,04	6,03
	20													8,04	4,90
40	20	50	170	25	39	20	50	25	30	106	G3/8	15	20	12,57	9,42
	25													12,57	7,66
50	25	60	180	28	44	25	50	33	35	103	G3/8	15	22,5	19,63	14,73
	32													19,63	11,59
63	32	73	205	32	53	30	49	35	42	117	G1/2	16	27,5	31,17	23,13
	40													31,17	18,61
80	40	95	235	40	66	40	58	45	54	124	G1/2	16	35	50,27	37,70
	50													50,27	30,63
100	50	115	280	50	81	50	69	56	65	143	G3/4	24	42,5	78,54	58,90
	63													78,54	47,37
125	63	145	315	63	90	60	69	70	82	155	G3/4	24	52,5	122,72	91,55
	80													122,72	72,45
140	70	160	365	72	111	70	75	80	94	174	G3/4	24	60	153,94	115,45
	90													153,94	90,32
160	80	185	415	85	132	80	82	90	105	193	G1	30	67,5	201,06	150,80
	100													201,06	122,52
180	90	205	460	95	142	90	95	100	130	218	G1	30	75	254,47	190,85
	125													254,47	131,75
200	100	230	535	113	160	100	118	115	145	260	G1 1/4	30	82,5	314,16	235,62
	140													314,16	160,22
250	125	298	665	150	195	120	137	145	165	325	G1 1/4	30	100	490,87	368,16
	160													490,87	289,81

Example of article number: DA07071000-0600  
 Narrow Bushing in both ends, cylinder Ø: 63 mm,  
 piston rod Ø: 40 mm, and a 600 mm stroke.