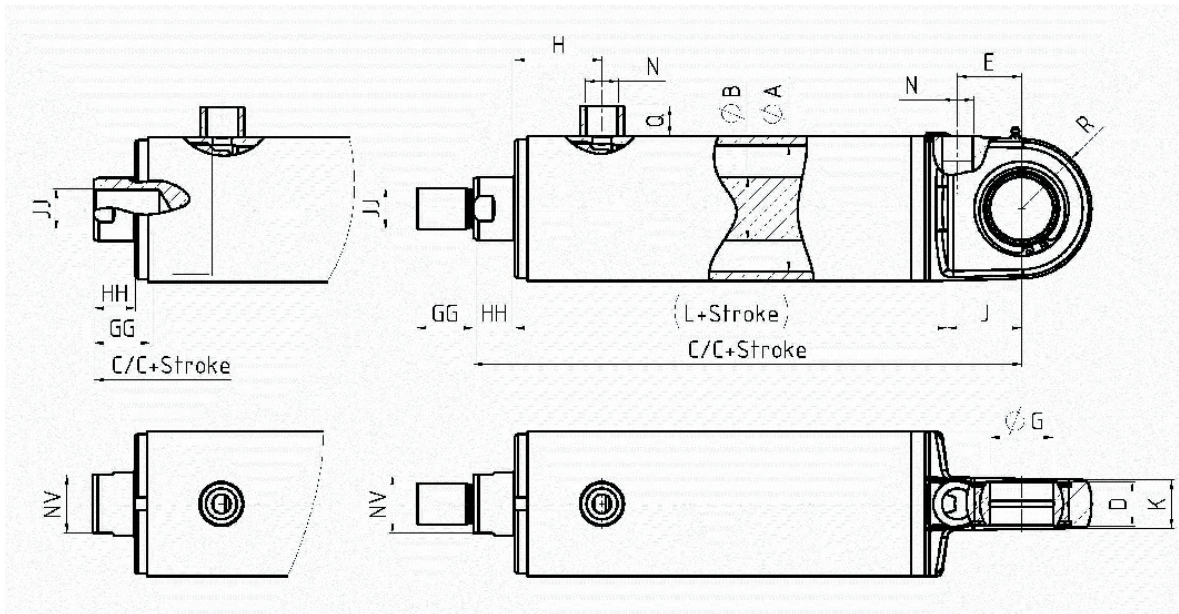


HYDRAULIC CYLINDER WITH EXTERNAL ALT. INTERNAL SCREW THREADS, DA 250

Performance DAxx02 and DAxx03



All measures in mm, if nothing else is stated.
 Maximum working pressure 25.0 MPa (250 bar).
 The cylinder is painted subdued black.

Cylinder Ø A	Piston rod Ø B	Ø C	C/C	D	E	G	GG	H	HH	J	JJ	K	L	N	NV	Q	R
25	12	35	118	10	26	12	12	36	13	17	M8	14	88	G1/4	10	14	16
	14						M10x1,25				13						
32	16	42	120	10	26	12	14	36	18	17	M10x1,25	14	90	G1/4	13	14	16
	18						M14x1,5				17						
40	20	50	157	16	34	20	18	50	18	25	M14x1,5	18	114	G3/8	17	15	25
	24						M18x,1,5				22						
50	25	60	160	20	34	25	24	50	18	33	M18x1,5	25	109	G3/8	22	15	30
	32						M24x2				27						
63	32	73	178	22	37	30	32	49	23	35	M24x2	30	120	G1/2	27	16	35
	36						M27x2				36						
80	40	95	194	28	41	40	36	58	23	45	M27x2	32	126	G1/2	36	16	45
	45						M33x2				46						
100	50	115	235	35	51	50	45	69	33	56	M33x2	40	146	G3/4	46	24	56
	56						M42x2				55						
125	63	145	265	44	65	60	56	69	40	70	M42x2	50	155	G3/4	55	24	69
	70						M52x2				70						
140	70	160	294	49	75	70	63	75	40	80	M48x2	58	174	G3/4	60	24	75
	85						M64x3				80						
160	80	185	323	55	85	80	70	82	40	90	M52x2	65	193	G1	70	30	90
	88						M68x3				90						
180	90	210	368	60	105	90	75	95	45	100	M64x3	70	223	G1	80	30	100
	95						M80x3				110						
200	100	230	430	70	120	100	88	118	45	115	M68x3	80	270	G1 1/4	90	30	115
	112						M100x3				130						
250	125	300	515	85	150	120	95	137	45	145	M80x3	100	325	G1 1/4	110	30	145
	125						M125x4				150						

Example of article number: DA05020700-0600

Front flange on tube and external screw thread on the piston rod,
 cylinder Ø 50 mm, piston rod Ø 25 mm, and a 600 mm stroke.

We reserve the right to do changes without further notice • Edition 4 June 2015